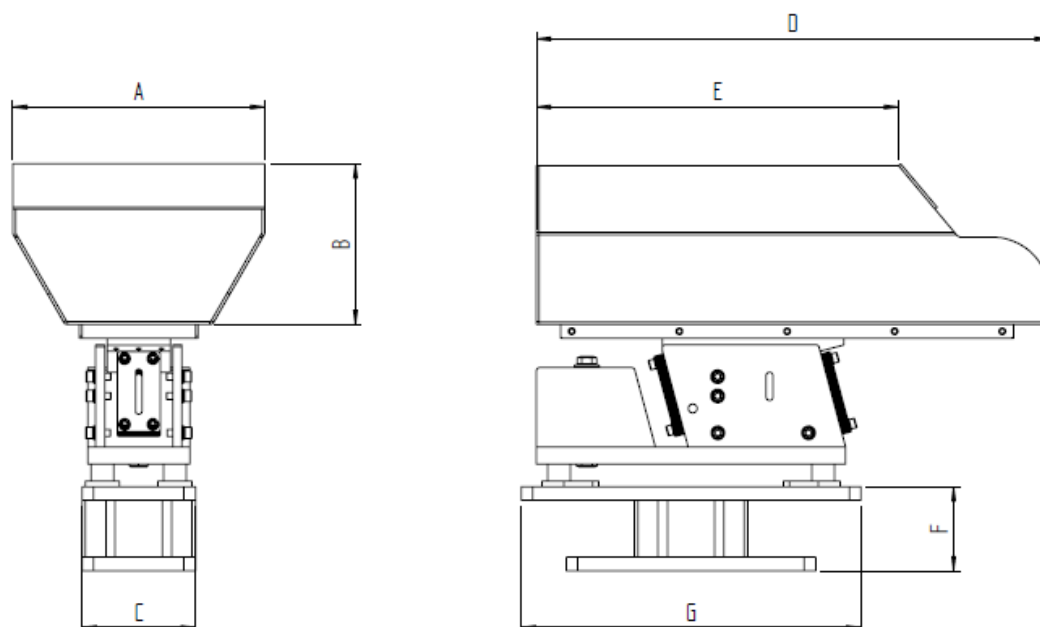


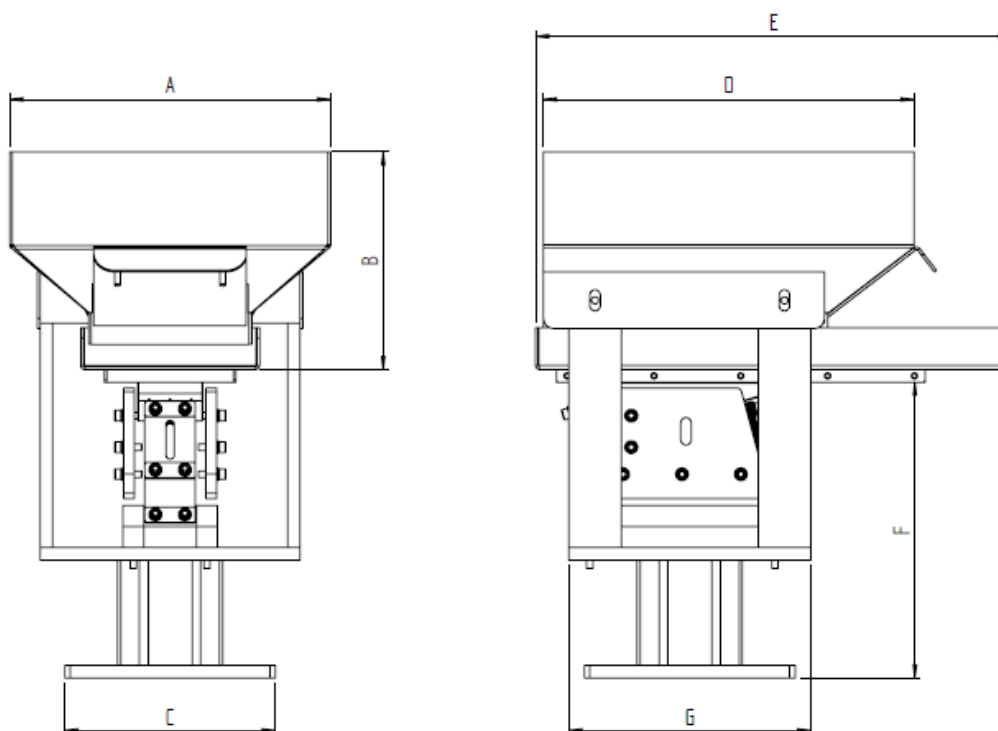
## Vibratory hoppers H



### Dimensions:

Vibratory hopper H	A (mm)	B (mm)	C (mm)	D (mm)	E (mm)	F (mm)	G (mm)	Capacity of hopper (liter)
140	200	120	100	400	270	I	280	4,5
160	220	140	100	450	317	I	300	7
190	245	160	120	500	350	I	320	9,5

## Vibratory hoppers Q



### Dimensions:

Vibratory hopper Q	A (mm)	B (mm)	C (mm)	D (mm)	E (mm)	F (mm)	G (mm)	Capacity of hopper (liter)
190-M	305	207	200	352	452	I	230	12
190-L	440	255	200	352	452	I	230	20